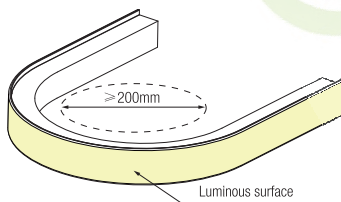
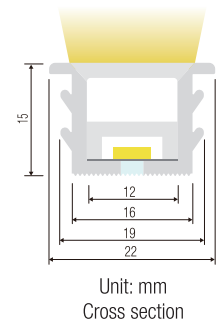
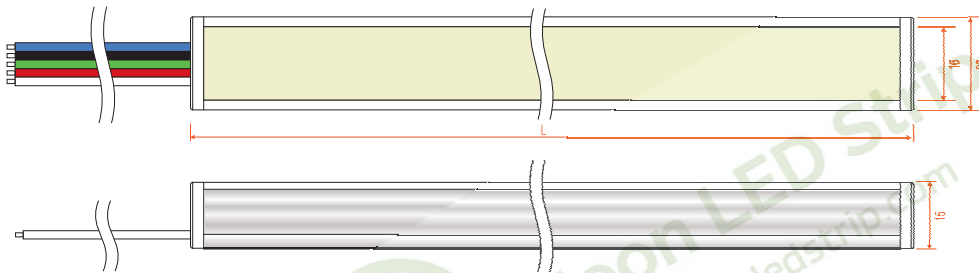


Key Feature

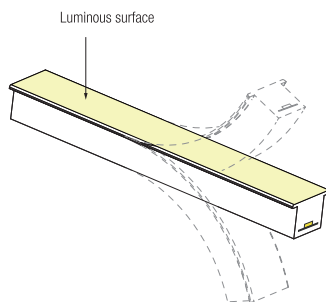
- Embedded Silicone Neon Strip 16mm*15mm Only
- Normal power 5W/10W / optional
- IP44 Waterproof grade, Uniform light output
- With high quality, Soft light effect bringing better indoor and outdoor applications



Drawing



Min bending diameter



Bend vertical only

Electrical Parameter

Voltage	LED PIN Temperature	Storage Temperature	Ambient Temperature	CRI
DC24V	Max. 65 C	-25 C ~ 60 C	Min.-25°C Max(Table below)	≥90

Specification

Power(w/m)	Efficacy(lm/w)@4000K	Max Ambient Temperature
10 w/m	66.3lm/w	45°C

Due to the tolerance of the production and electrical components, output value and electrical power can vary up to 10%

Length Standard

Length Range (M)	Final Length	Tolerance(mm)
0M<Neon Strip(L)≤ 5M	L+6	±7
5M<Neon Strip(L)≤ 10M	L+6	±10
10M<Neon Strip(L)≤ 15M	L+6	±13
15M<Neon Strip(L)≤ 20M	L+6	±16

Single Color(Lm/m)

CCT(K)	CRI	Voltage	Power(W)	Lumen (LM/M)	Efficiency (LM/W)	Unit Length (mm)	Max. Run Length (M)	CC/CV
2400K±100	>90	DC24V	10	488	48.8	50	17(CC)	CC/CV
2600K±100	>90	DC24V	10	560	56	50	17(CC)	CC/CV
3000K ⁺²⁰⁰ ₋₁₀₀	>90	DC24V	10	607	60.7	50	17(CC)	CC/CV
4100K±200	>90	DC24V	10	663	66.3	50	17(CC)	CC/CV
6000K±300	>90	DC24V	10	630	63	50	17(CC)	CC/CV
R	--	DC24V	10	256	25.6	50	18(CC)	CC/CV
G	--	DC24V	10	666	66.6	50	17(CC)	CC/CV
B	--	DC24V	10	157	15.7	50	17(CC)	CC/CV
Yellow	--	DC24V	10	198	19.8	50	18(CC)	CC/CV
Orange	--	DC24V	10	258	25.8	50	17(CC)	CC/CV
Pink	--	DC24V	10	576	57.6	50	17(CC)	CC/CV

CCT Tunable(Lm/m)

CCT(K)	CRI	Voltage	Power(W)	Lumen (LM/M)	Efficiency (LM/W)	Unit Length (mm)	Max. Run Length (M)	CC/CV
2700K±100	>90	DC24V	5	348	69.6	71.4	5	CV
6300K±300	>90	DC24V	5	366	73.2	71.4	5	CV
4000K±300	>90	DC24V	10	674	67.4	71.4	5	CV

RGB(Lm/m)

CCT(K)	CRI	Voltage	Power(W)	Lumen (LM/M)	Efficiency (LM/W)	Unit Length (mm)	Max. Run Length (M)	CC/CV
R	--	DC24V	3.3	71	21.5	83.33	5	CV
G	--	DC24V	3.3	284	86.1	83.33	5	CV
B	--	DC24V	3.3	56	17.0	83.33	5	CV
RGB	--	DC24V	10	419	41.9	83.33	5	CV

RGBW(Lm/m)

CCT(K)	CRI	Voltage	Power(W)	Lumen (LM/M)	Efficiency (LM/W)	Unit Length (mm)	Max. Run Length (M)	CC/CV
R	--	DC24V	2.5	54	21.6	83.33	5	CV
G	--	DC24V	2.5	212	84.8	83.33	5	CV
B	--	DC24V	2.5	44	17.6	83.33	5	CV
W: 2400K	--	DC24V	2.5	159	63.6	83.33	5	CV
RGB	--	DC24V	7.5	309	41.2	83.33	5	CV
RGBW	--	DC24V	10	469	46.9	83.33	5	CV
R	--	DC24V	2.5	56	22.4	83.33	5	CV
G	--	DC24V	2.5	225	90.0	83.33	5	CV
B	--	DC24V	2.5	48	19.2	83.33	5	CV
W: 2700K	--	DC24V	2.5	178	71.2	83.33	5	CV
RGB	--	DC24V	7.5	330	44.0	83.33	5	CV
RGBW	--	DC24V	10	510	51.0	83.33	5	CV
R	--	DC24V	2.5	57	22.8	83.33	5	CV
G	--	DC24V	2.5	226	90.4	83.33	5	CV
B	--	DC24V	2.5	48	19.2	83.33	5	CV
W: 3000K	--	DC24V	2.5	177	70.8	83.33	5	CV
RGB	--	DC24V	7.5	326	43.5	83.33	5	CV
RGBW	--	DC24V	10	505	50.5	83.33	5	CV
R	--	DC24V	2.5	55	22.0	83.33	5	CV
G	--	DC24V	2.5	218	87.2	83.33	5	CV
B	--	DC24V	2.5	46	18.4	83.33	5	CV
W: 4000K	--	DC24V	2.5	187	74.8	83.33	5	CV
RGB	--	DC24V	7.5	319	42.5	83.33	5	CV
RGBW	--	DC24V	10	503	50.3	83.33	5	CV
R	--	DC24V	2.5	54	21.6	83.33	5	CV
G	--	DC24V	2.5	215	86.0	83.33	5	CV
B	--	DC24V	2.5	45	18.0	83.33	5	CV
W: 6000K	--	DC24V	2.5	173	69.2	83.33	5	CV
RGB	--	DC24V	7.5	313	41.7	83.33	5	CV
RGBW	--	DC24V	10	487	48.7	83.33	5	CV

DMX512 Digital RGB

CCT(K)	Voltage	Power(W)	Lumen (LM/M)	Efficiency (LM/W)	Pixel (PCS)	Signal Type	IC Model	Unit Length (mm)	Max. Run Length (M)
R	24	12	54	13.5	8	DMX512	SM17512	125	5
G			200	50					
B			36	9					
RGB			277	23					