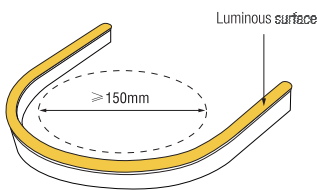
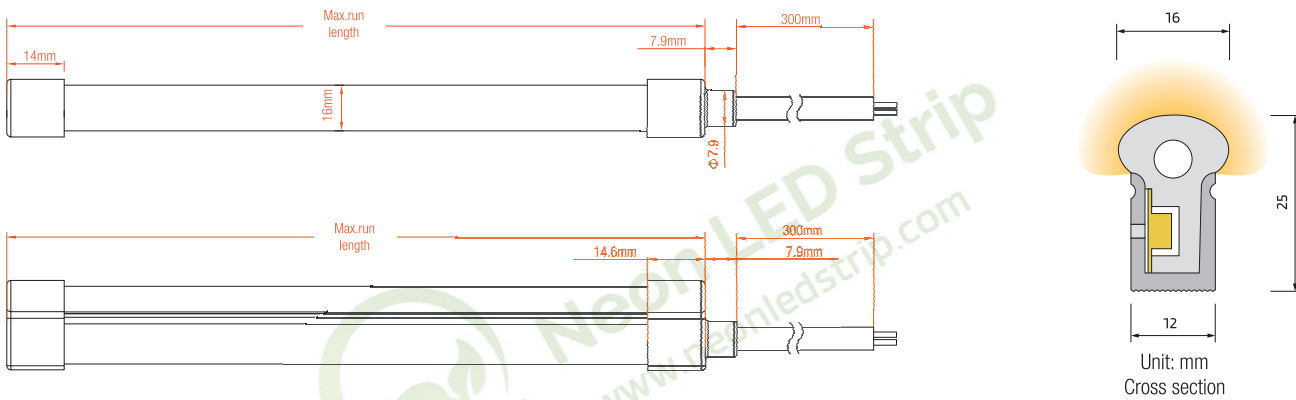


Key Feature

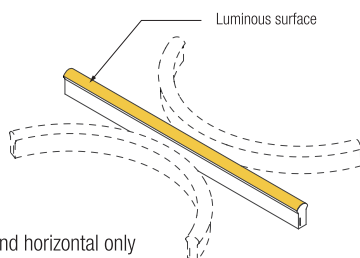
- Side View Neon Strip 12mm*25mm Only
- Normal power 5W/ 10W/ 15W optional
- IP67 Waterproof grade, Uniform light output
- With high quality, Soft light effect bringing better indoor and outdoor applications



Drawing



Min Bending diameter



Bend horizontal only

Electrical Parameter

Voltage	DC24V
LED PIN Temperature	Max. 65 °C
Storage Temperature	-25 °C ~ 60 °C
Ambient Temperature	Min. -25°C, Max (Table below)
CRI	≥90

Specification

Power(w/m)	5w/m	10w/m	15w/m
Efficacy(lm/w)@4000K	39.4lm/w	38.7lm/w	36.1lm/w
Max Ambient Temperature	55 °C	45 °C	35 °C

Due to the tolerance of the production and electrical components, output value and electrical power can vary up to 10%.

Single Color(Lm/m)

CCT(K)	CRI	Voltage	Power(W)	Lumen (LM/M)	Efficiency (LM/W)	Unit Length (mm)	Max. Run Length (M)	CC/CV
2100K±100	≥90	DC24V	10	240	24	50	17(CC)	CC/CV
2400K±100	≥90	DC24V	10	270	27	50	17(CC)	CC/CV
2700K±100	≥90	DC24V	10	290	29	50	17(CC)	CC/CV
3000K±100	≥90	DC24V	10	290	29	50	17(CC)	CC/CV
3500K ⁺²⁰⁰ / ₋₁₀₀	≥90	DC24V	10	305	30.5	50	17(CC)	CC/CV
4000K ⁺³⁰⁰ / ₋₂₀₀	≥90	DC24V	10	320	32	50	17(CC)	CC/CV
5000K ⁺³⁰⁰ / ₋₂₀₀	≥90	DC24V	10	300	30	50	17(CC)	CC/CV
6000K ⁺⁴⁰⁰ / ₋₁₀₀	≥90	DC24V	10	315	31.5	50	17(CC)	CC/CV
Red	--	DC24V	10	125	12.5	50	18(CC)	CC/CV
Green	--	DC24V	10	340	34	50	17(CC)	CC/CV
Blue	--	DC24V	10	60	6	50	17(CC)	CC/CV
Yellow	--	DC24V	10	105	10.5	50	18(CC)	CC/CV
Pink	--	DC24V	10	135	13.5	50	17(CC)	CC/CV

CCT Tunable(Lm/m)

CCT(K)	CRI	Voltage	Power(W)	Lumen (LM/M)	Efficiency (LM/W)	Unit Length (mm)	Max. Run Length (M)	CC/CV
WW	≥90	DC24V	5	150	30	50	5	CV
W	≥90	DC24V	5	157.5	31.5	50	5	CV
W+WW	≥90	DC24V	10	295	29.5	50	5	CV

RGB(Lm/m)

CCT(K)	CRI	Voltage	Power(W)	Lumen (LM/M)	Efficiency (LM/W)	Unit Length (mm)	Max. Run Length (M)	CC/CV
R	--	DC24V	3.3	29.7	9	62.5	5	CV
G	--	DC24V	3.3	85.8	26	62.5	5	CV
B	--	DC24V	3.3	16.5	5	62.5	5	CV
RGB	--	DC24V	10	135	13.5	62.5	5	CV

RGBW(Lm/m)

CCT(K)	CRI	Voltage	Power(W)	Lumen (LM/M)	Efficiency (LM/W)	Unit Length (mm)	Max. Run Length (M)	CC/CV
R	--	DC24V	2.5	15	6	62.5	5	CV
G	--	DC24V	2.5	67.5	27	62.5	5	CV
B	--	DC24V	2.5	12.5	5	62.5	5	CV
W(2200-2600K)	≥80	DC24V	2.5	70	28	62.5	5	CV
RGBW	--	DC24V	10	160	16	62.5	5	CV

CCT(K)	CRI	Voltage	Power(W)	Lumen (LM/M)	Efficiency (LM/W)	Unit Length (mm)	Max. Run Length (M)	CC/CV
R	--	DC24V	2.5	15	6	62.5	5	CV
G	--	DC24V	2.5	67.5	27	62.5	5	CV
B	--	DC24V	2.5	12.5	5	62.5	5	CV
W(2400-3000K)	≥80	DC24V	2.5	75	30	62.5	5	CV
RGBW	--	DC24V	10	180	18	62.5	5	CV

CCT(K)	CRI	Voltage	Power(W)	Lumen (LM/M)	Efficiency (LM/W)	Unit Length (mm)	Max. Run Length (M)	CC/CV
R	--	DC24V	2.5	15	6	62.5	5	CV
G	--	DC24V	2.5	67.5	27	62.5	5	CV
B	--	DC24V	2.5	12.5	5	62.5	5	CV
W(3400-4000K)	≥80	DC24V	2.5	77.5	31	62.5	5	CV
RGBW	--	DC24V	10	185	18.5	62.5	5	CV

CCT(K)	CRI	Voltage	Power(W)	Lumen (LM/M)	Efficiency (LM/W)	Unit Length (mm)	Max. Run Length (M)	CC/CV
R	--	DC24V	2.5	15	6	62.5	5	CV
G	--	DC24V	2.5	67.5	27	62.5	5	CV
B	--	DC24V	2.5	12.5	5	62.5	5	CV
W(5000-5600K)	≥80	DC24V	2.5	83.75	33.5	62.5	5	CV
RGBW	--	DC24V	10	185	18.5	62.5	5	CV