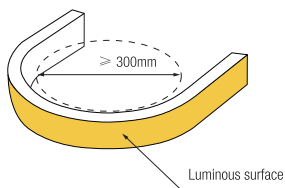
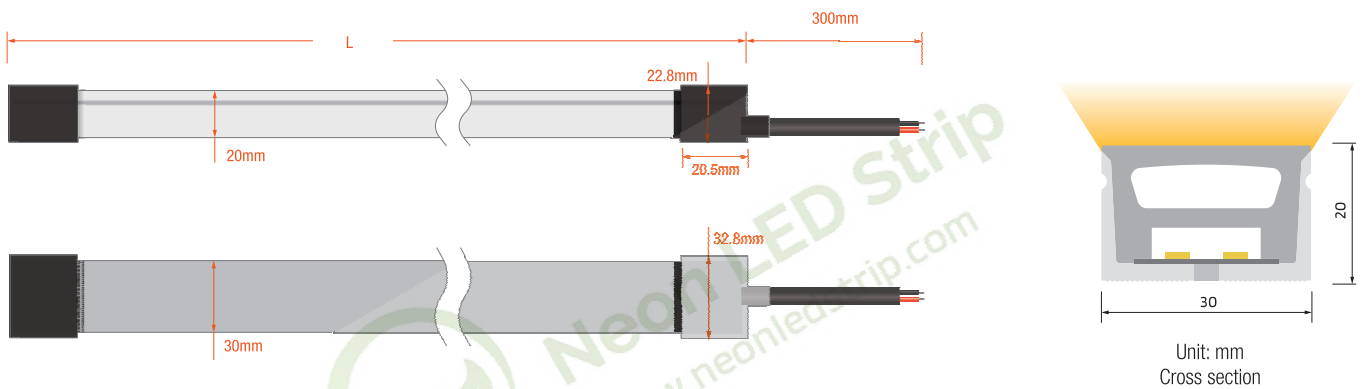


Key Feature

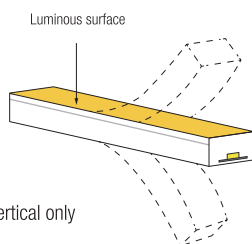
- Top View Neon Strip 30mm*20mm Only
- Normal power 16W/ 20W/ 24W optional
- IP67 Waterproof grade, Uniform light output
- With high quality, Soft light effect bringing better indoor and outdoor applications



Drawing



Min Bending diameter



Bend vertical only

Electrical Parameter

Voltage	DC24V
LED PIN Temperature	Max. 65 C
Storage Temperature	-25 C ~ 60 C
Ambient Temperature	Min. -25°C, Max (Table below)
CRI	>90

Specification

Power(w/m)	16w/m	20w/m	24w/m
Efficacy(lm/w)@4000K	65.6lm/w	64lm/w	63 lm/w
Max Ambient Temperature	55 C	45 C	35 C

Due to the tolerance of the production and electrical components, output value and electrical power can vary up to 10%.

Single Color(Lm/m)

CCT(K)	CRI	Voltage	Power(W)	Lumen (LM/M)	Efficiency (LM/W)	Unit Length (mm)	Max. Run Length (M)	CC/CV
2100K±100	≥90	DC24V	20	1020	51	50	9(CC)	CC/CV
2400K±100	≥90	DC24V	20	1040	52	50	9(CC)	CC/CV
2700K±100	≥90	DC24V	20	1210	60.5	50	9(CC)	CC/CV
3000K±100	≥90	DC24V	20	1220	61	50	9(CC)	CC/CV
3500K ⁺²⁰⁰ / ₋₁₀₀	≥90	DC24V	20	1130	56.5	50	9(CC)	CC/CV
4000K ⁺³⁰⁰ / ₋₂₀₀	≥90	DC24V	20	1280	64	50	9(CC)	CC/CV
5000K ⁺³⁰⁰ / ₋₂₀₀	≥90	DC24V	20	1300	65	50	9(CC)	CC/CV
6000K ⁺⁴⁰⁰ / ₋₁₀₀	≥90	DC24V	20	1180	59	50	9(CC)	CC/CV
Red	--	DC24V	20	530	26.5	50	9(CC)	CC/CV
Green	--	DC24V	20	1240	62	50	9(CC)	CC/CV
Blue	--	DC24V	20	270	13.5	50	9(CC)	CC/CV
Yellow	--	DC24V	20	520	26	50	9(CC)	CC/CV
Pink	--	DC24V	20	520	26	50	9(CC)	CC/CV

CCT Tunable(Lm/m)

CCT(K)	CRI	Voltage	Power(W)	Lumen (LM/M)	Efficiency (LM/W)	Unit Length (mm)	Max. Run Length (M)	CC/CV
WW	≥90	DC24V	10	610	61	41.66	5	CV
W	≥90	DC24V	10	650	65	41.66	5	CV
W+WW	≥90	DC24V	20	1230	61.5	41.66	5	CV

RGB(Lm/m)

CCT(K)	CRI	Voltage	Power(W)	Lumen (LM/M)	Efficiency (LM/W)	Unit Length (mm)	Max. Run Length (M)	CC/CV
R	--	DC24V	6.66	133.2	20	41.66	5	CV
G	--	DC24V	6.66	342.99	51.5	41.66	5	CV
B	--	DC24V	6.66	69.93	10.5	41.66	5	CV
RGB	--	DC24V	20	540	27	41.66	5	CV

RGBW(Lm/m)

CCT(K)	CRI	Voltage	Power(W)	Lumen (LM/M)	Efficiency (LM/W)	Unit Length (mm)	Max.Run Length (M)	CC/CV
R	--	DC24V	5	95	19	41.66	5	CV
G	--	DC24V	5	262.5	52.5	41.66	5	CV
B	--	DC24V	5	70	14	41.66	5	CV
W(2200-2600K)	≥80	DC24V	5	305	61	41.66	5	CV
RGBW	--	DC24V	20	720	36	41.66	5	CV

CCT(K)	CRI	Voltage	Power(W)	Lumen (LM/M)	Efficiency (LM/W)	Unit Length (mm)	Max.Run Length (M)	CC/CV
R	--	DC24V	5	95	19	41.66	5	CV
G	--	DC24V	5	262.5	52.5	41.66	5	CV
B	--	DC24V	5	70	14	41.66	5	CV
W(2400-3000K)	≥80	DC24V	5	302.5	60.5	41.66	5	CV
RGBW	--	DC24V	20	720	36	41.66	5	CV

CCT(K)	CRI	Voltage	Power(W)	Lumen (LM/M)	Efficiency (LM/W)	Unit Length (mm)	Max.Run Length (M)	CC/CV
R	--	DC24V	5	95	19	41.66	5	CV
G	--	DC24V	5	262.5	52.5	41.66	5	CV
B	--	DC24V	5	70	14	41.66	5	CV
W(3400-4000K)	≥80	DC24V	5	320	64	41.66	5	CV
RGBW	--	DC24V	20	720	36	41.66	5	CV

CCT(K)	CRI	Voltage	Power(W)	Lumen (LM/M)	Efficiency (LM/W)	Unit Length (mm)	Max.Run Length (M)	CC/CV
R	--	DC24V	5	95	19	41.66	5	CV
G	--	DC24V	5	262.5	52.5	41.66	5	CV
B	--	DC24V	5	70	14	41.66	5	CV
W(5000-5600K)	≥80	DC24V	5	313	62.6	41.66	5	CV
RGBW	--	DC24V	20	720	36	41.66	5	CV